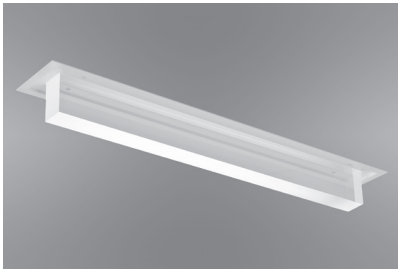


MARK
ARCHITECTURAL
LIGHTING™

FIN LED

A series of infinite possibilities





The **Fin LED** Series

Fin LED is a decorative accent fixture with a clean, geometric form that complements any environment. Versatile and ornamental, it is perfect for making an aesthetic statement, creating intriguing patterns of light or enhancing other design elements.

Fin can be mounted horizontally or vertically and is available in a choice of clear sides with frosted edges or frosted sides with frosted edges. Lengths range from 2 to 8 feet, and the depth below the fixture door can be 2, 3 or 4 inches.

Specification Features

Housing

Housing and internal components fabricated from 20-gauge, cold-rolled steel.

Finish

Matte white.

Reflector

Precision-formed steel; white.

Shielding

Nominal 1 1/2"-thick acrylic fin.

LED Components

Linear:

Nichia® - LED chips (>80 CRI)

Normal Output: 6 W/LF

Hi Output: 12 W/LF

Driver

AccuDrive LED Driver allows for 0-10V dimming, flicker-free from 2 to 100%. Universal input voltage 120-277VAC, 50/60Hz. Integrated thermal fold-back management to prevent over heating.

Color Consistency

The Acuity Brands circuit boards for the linear LED components use a precise binning algorithm which creates a consistent color temperature from board to board. The color a variation of no greater than a 2.5 Step MacAdam (2.5SDCM) along the black body locus from board to board.

Integrated Controls

Standard nLight® embedded controls make luminaire addressable- allowing it to digitally communicate with other nLight enabled controls such as dimmers, switches, occupancy sensors and photocontrols. Simply connect all the nLight enabled control devices using standard CAT5 Cabling.

Lumen Management

An optional lumen management system provides onboard intelligence that actively manages the LED light source so that constant lumen output is maintained over the system's life, creating a consistently illuminated environment while preventing energy waste. (Option: n80)

Mounting

Recessed in sheetrock ceiling; rod-mounted to structure. Consult factory for other ceiling types.

Certification

CSA Certified to meet U.S. and Canadian standards, rated for Chicago Plenum, and IBEW (Local 3) Union-made in the USA.

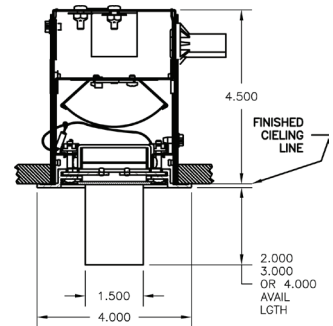
Warranty

5-year limited warranty. Complete warranty terms located at www.acuitybrands.com/CustomerResources/Termsandconditions.aspx

Notes

1. Specifications subject to change without notice
2. Actual performance may differ as a result of end-user environment and application

Technical Drawings



AcuityBrands.